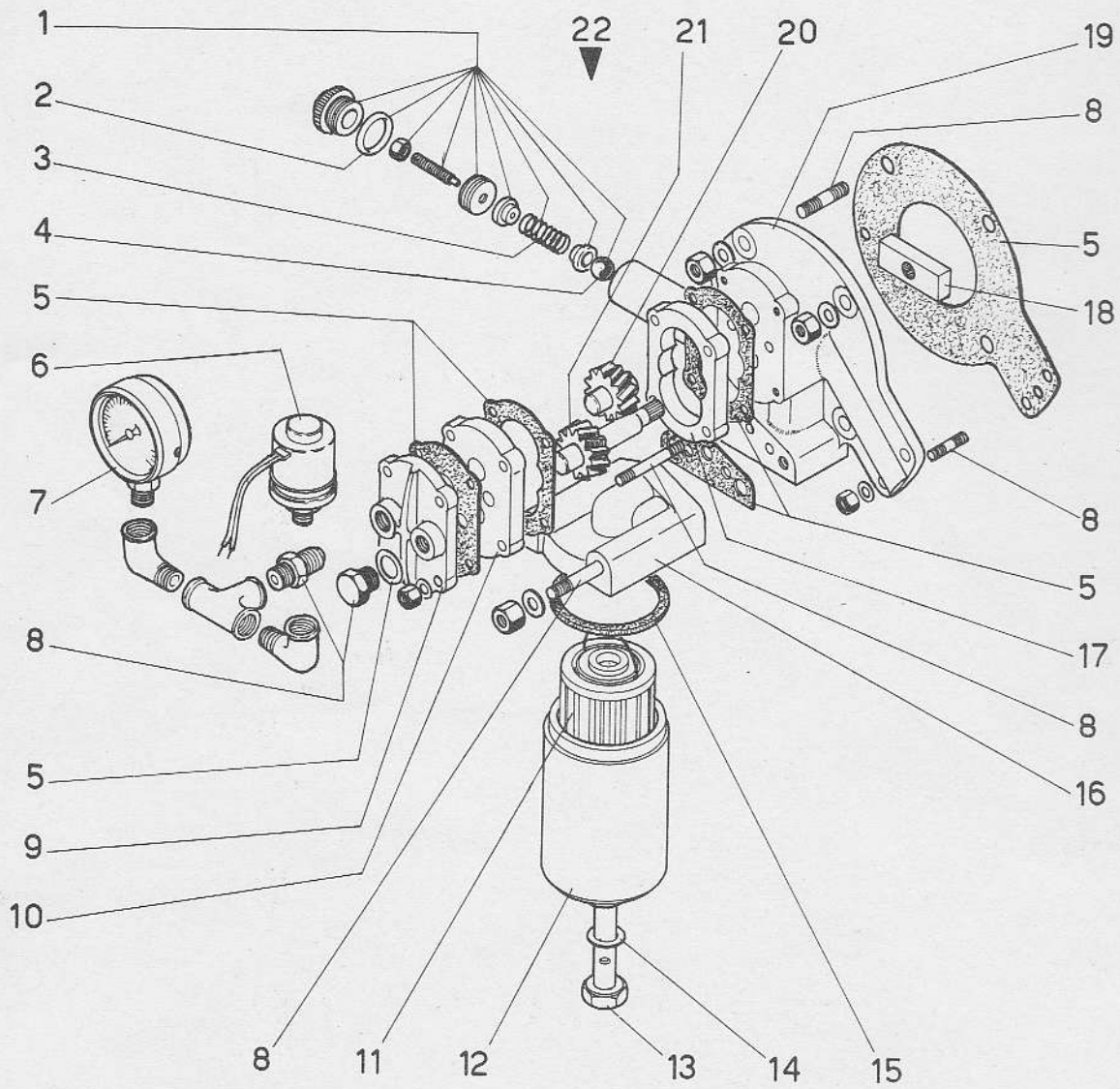


COMPRESSOR MOD. 6200

UNIT : PUMP

9/74

FIG. 1



# SPARE PARTS LIST

FIG. 1

COMPRESSOR MOD. 6200 - UNIT : PUMP

9/74

TABLE 1

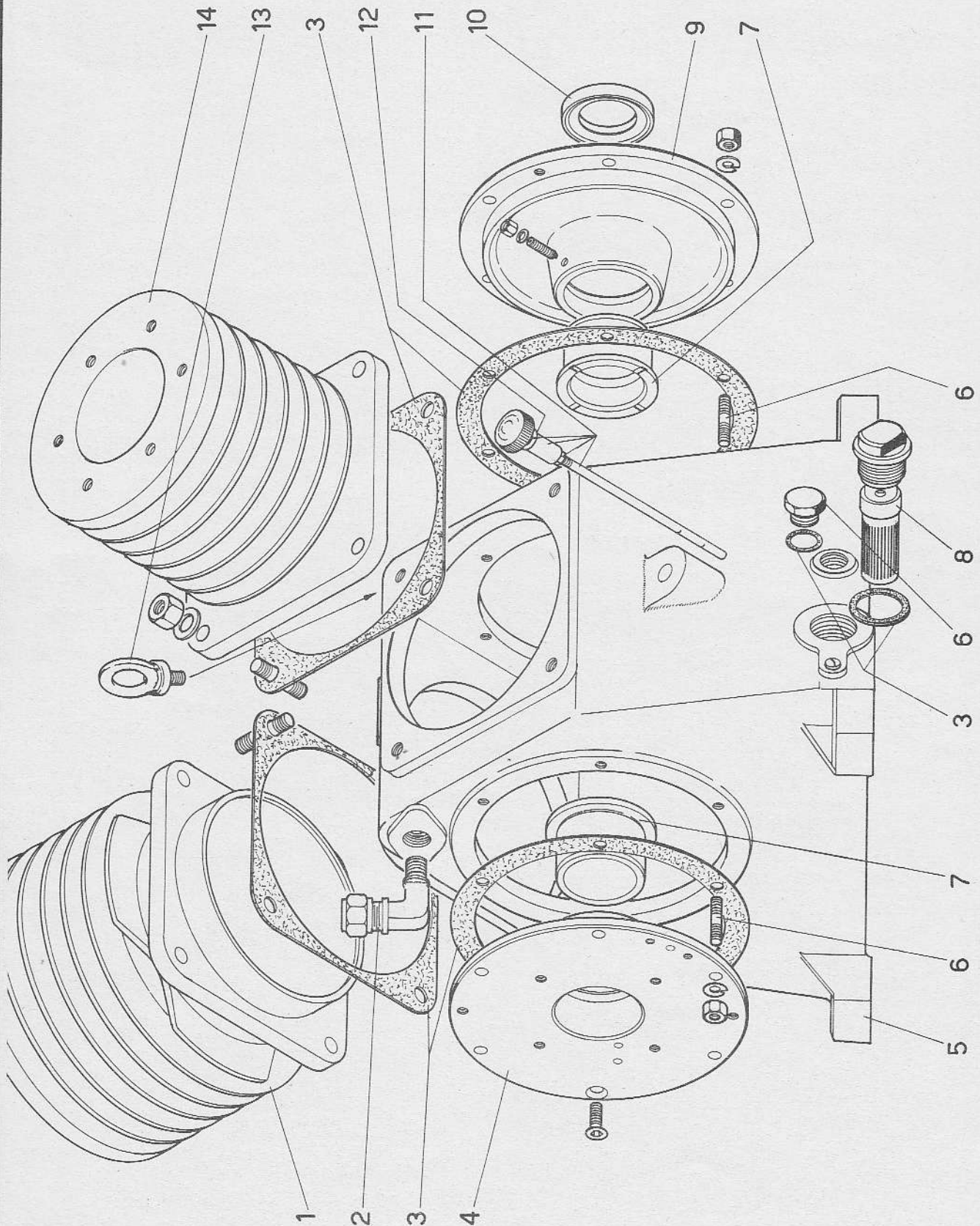
Ref. No.	ORDER No.	DESCRIPTION	No.
1	95249	Assembly by-pass regulation unit	1
2	633249	OR 129 Sealing ring	1
3	580139	Spring	1
4	577112	1/2 W ball	1
5	95248	Set gaskets for pump unit	1
6	600518	Oil pressure switch	1
7	600125	Gauge $\emptyset$ 60 - 0 $\pm$ 12	1
8	95150	Set of nuts, bolts, etc. according to drawing for pump unit	1
9	12970	Cover pump	1
10	5418	Front plate pump	1
11	641108	Oil filter cartridge	1
12	40015	Cartridge housing body	1
13	40016	Filter central screw	1
14	630785	Copper gasket	1
15	630253	Gasket for filter body	1
16	40014	Cap - support for filter	1
17	5393	Central body	1
18	41557	Connection for drive shaft	1
19	40013	Pump support	1
20	53429	Assembly gear driven	1
21	46179	Assembly gear drive	1
22	91839	Assembly complete pump (without filter)	1
	95170	Set of nuts, bolts, etc. according to UNI tables for pump unit	
		T shaped 1/4" connection B1 UNI 5194	750301 1
		Elbow MF 1/4" A4 UNI 5194	750221 2
		Nuts M6 - UNI 5587	723102 7
		Nuts M8 - UNI 5587	723103 6
		Washer A6.4 - UNI 1751	722403 6
		Washer A8.4 - UNI 1751	722411 4
		Washer 8 UNI 3703	722505 2

COMPRESSOR MOD. 6200

UNIT: CASING - CYLINDERS

9/74

FIG. 2



SPARE PARTS LIST

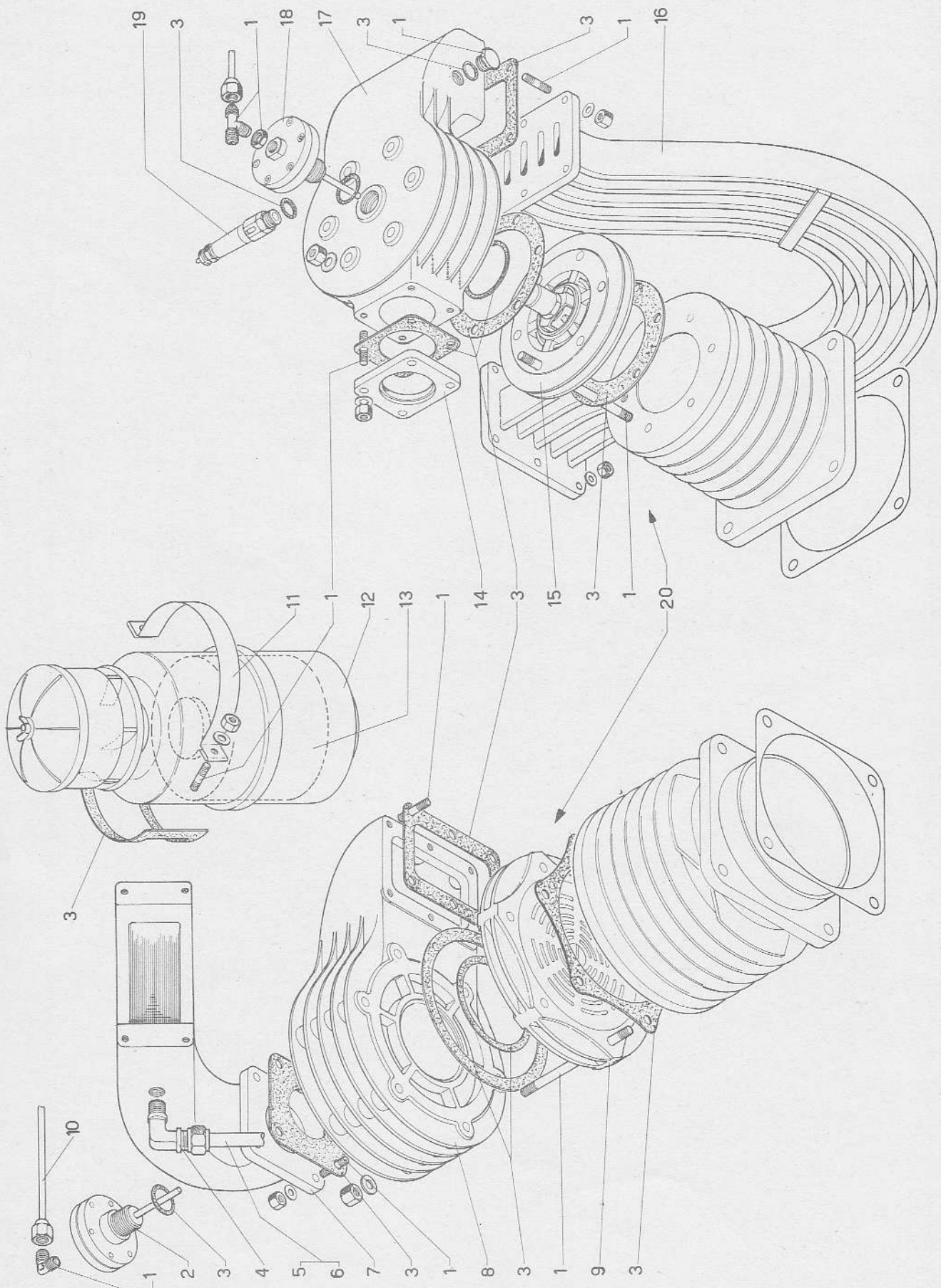
FIG. 2

COMPRESSOR MOD. 6200 -. UNIT: CASING - CYLINDERS

9/74

TABLE 2

Ref. No.	ORDER No.	DESCRIPTION	No.
1	46926	L.P. cylinder	1
2	751315	Breather connection REL 3/8"	1
3	95129	Set of gaskets for casing - cylinders - heads	1
4	13485	Cap pump side	1
5	40202	Casing	1
6	95150	Set of nuts, bolts, etc. according to drawing for pump - casing	1
7	620329	Bushing for crank-shaft - normal	2
7/a	620361	Bushing for crank-shaft - undersized 10/10	2
8	47019	Oil filter assembly	1
9	12332	Cap - support flywheel side	1
10	633421	Sealing ring on shaft	1
11	46212	Assembly plug and oil level dipstick	1
12	633233	OR 111 sealing ring	1
13	721236	Eyebolt	1
14	46927	H.P. cylinder	1
	95170	Set of screws and connections according to UNI tables for pump unit	1
		Screw M 8x25 - UNI 5933 - AIOX (TSCE) 710703	1
		Nuts M6 - UNI 5587 for bushing screws 723102	2
		Nuts M8 - UNI 5587 for covers 723103	12
		Nuts M12 - UNI 5587 for cylinders 723112	12
		Elastic washer A6.4 - UNI 1751 for bushing screws 722403	2
		Washer 8 UNI 3703 for cover 722505	12
		Screw M 6x20 - UNI 5925 - A10K - bushing (STCE) 710606	2
		Washer 12 - UNI 3704 722509	8



# SPARE PARTS LIST

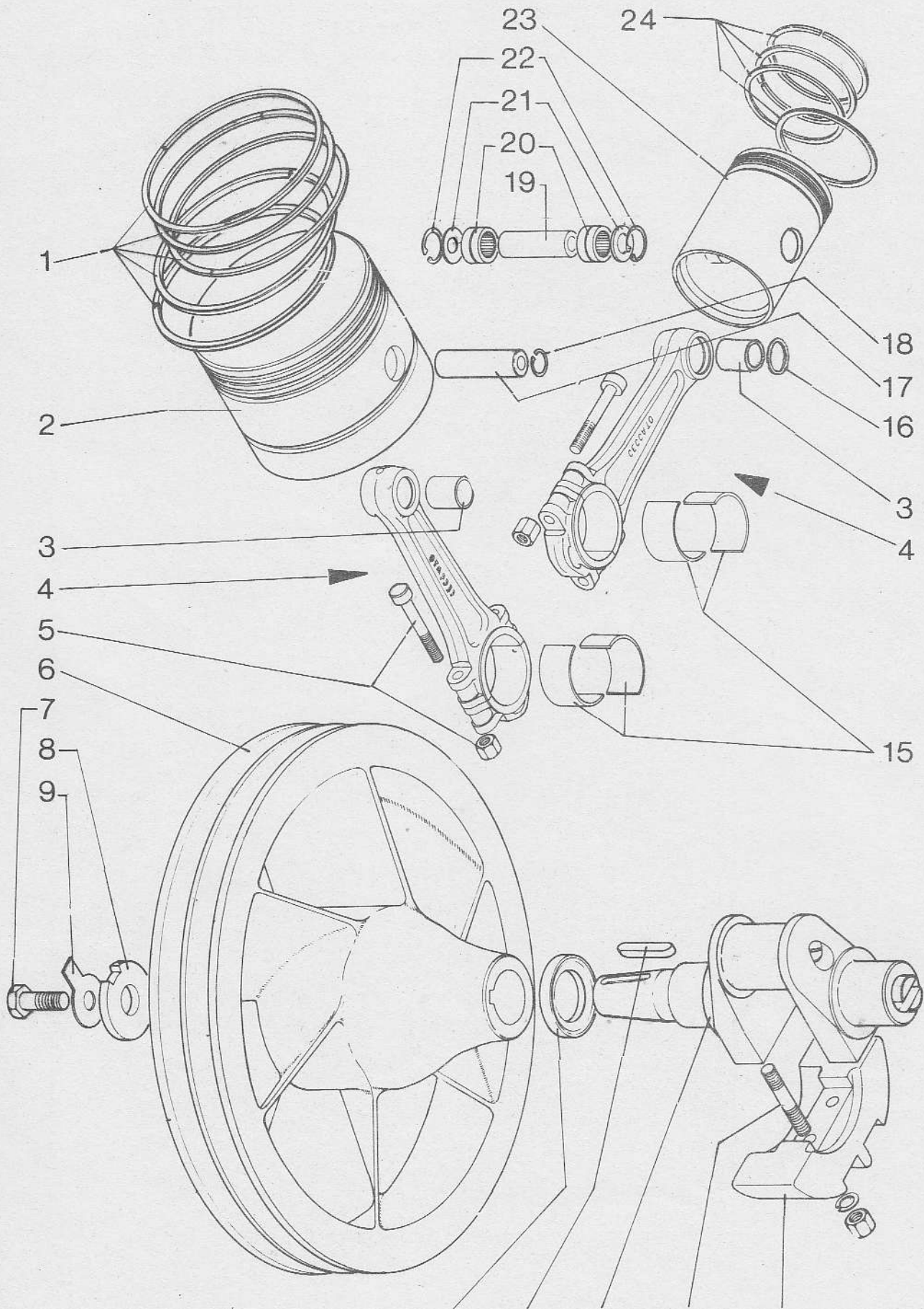
FIG. 3

COMPRESSOR MOD. 6200 - UNIT: VALVES - HEADS

9/74

TABLE 3

Ref. No.	ORDER No.	DESCRIPTION	No.
1	95128	Set of nuts, bolts, etc. according to drawing for valves - heads	1
2	46931	Complete assembly idling operation device for L.P. (see separate table)	1
3	95129	Set of gaskets for unit valves - heads	1
4	751315	Connection REL 12x3/8"	1
5	759965	Bush DIT for nylon pipe	1
6	659714	Nylon pipe 12x10 x M. 0.50	1
7	43695	Intake filter housing	1
8	43694	Head for L.P.	1
9	599922	Complete concentric valve for L.P.	1
10	759916	Copper-coated connection pipe for idling device	1
11	16279	Filter clamp	2
12	640506	Air intake filter	1
13	640530	Air filter cartridge	1
14	13078	Outlet connection flange	1
15	599916	Complete concentric valve for H.P.	1
16	47162	Intercooler	1
17	46877	Head for H.P.	1
18	46932	Complete assembly idling operation device for high pressure (see separate table)	1
19	953432	3/8" safety valve	1
20	95335	Set of gaskets between heads and cylinders	1
	95170	Set of screws according to UNI tables for unit heads - valves.	1
		Nuts M8 - UNI 5587	723103 16
		Nuts M10 - UNI 5587	723104 20
		Flat washers 8.4x17 - UNI 6592	722104 4
		Elastic washers 8 - UNI 3703	722505 12
		Elastic washers A8.4 UNI 1751	722411 4
		Flat washers 10.5x21 UNI 6592	722105 16
		Elastic washers A10.5 UNI 1751	722406 4



SPARE PARTS LIST

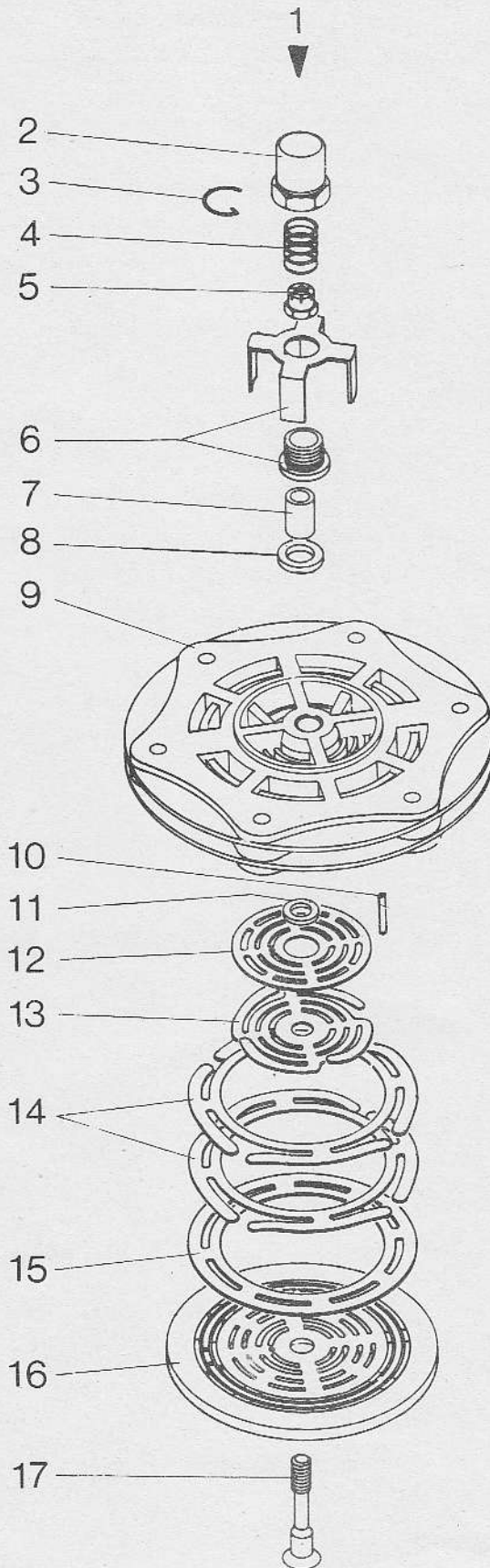
FIG. 4

COMPRESSOR MOD. 6200 - UNIT: CRANK MECHANISM

9/74

TABLE 4

Ref. No.	ORDER No.	DESCRIPTION	No.
1	620705	Set elastic rings for L.P. $\phi$ 160 normal	1
1/a	620755	Set elastic rings for L.P. $\phi$ 160 - oversized 5/10	1
1/b	960736	Set elastic rings for L.P. $\phi$ 160 - " 10/10	1
2	620108	Piston for L.P. $\phi$ 160 - normal	1
2/a	620143	Piston for L.P. $\phi$ 160 - oversized 5/10	1
2/b	960737	Piston for L.P. $\phi$ 160 - oversized 10/10	1
3	620337	Bushing for connecting rod small end for H.L.P. (drawing 18771)	2
4	95157	Assembly connecting rod H.L.P.	2
5	95158	Set screws for connecting rod	2
6	46972	Three-grooves flywheel (3/72)	1
7	710124	Screw TE M14x40 - flywheel	1
8	42575	Flywheel stop washer	1
9	42576	Washer for flywheel stop screw	1
10	633421	Sealing ring on shaft	1
11	732112	Key on shaft (12x8x55)	1
12	95001	Assembly crank-shaft	1
13	721126	Studs for counterweights M 12x68	4
14	40063	Counterweights for shaft	2
15	620336	Bearings for connecting rod - normal	2
15/a	960754	Bearing for connecting rod - undersized 10/10	2
16	45396	Spacing ring for connecting rod - H.P. piston	2
17	620220	Gudgeon pin for L.P. piston	1
18	730109	Stop rings for gudgeon pin	2
19	620219	Gudgeon pin for H.P. piston	1
20	573405	Needle for H.P.	2
21	43687	Gudgeon pin stop washer	2
22	730112	Stop rings for H.P. gudgeon pin	2
23	43688	Piston for H.P. $\phi$ 90 - normal	1
23/a	43688/a	Piston for H.P. $\phi$ 90 - oversized 5/10	1
23/b	43688/b	Piston for H.P. $\phi$ 90 - oversized 10/10	1
24	620730	Set elastic rings for H.P. $\phi$ 90 - normal	1
24/a	620790	Set elastic rings for H.P. $\phi$ 90 - oversized 5/10	1
24/b	620791	Set elastic rings for H.P. $\phi$ 90 - oversized 10/10	1
	95170	Set of screws according to UNI tables for unit crank mechanism	1
		Elastic washer A13.5 - UNI 1151	722408 4
		Nuts M 12 - UNI 5587	723112 4



## SPARE PARTS LIST

FIG. 5

CONCENTRIC VALVE FOR COMPRESSORS FOR L.P.

TABLE 5

0/74

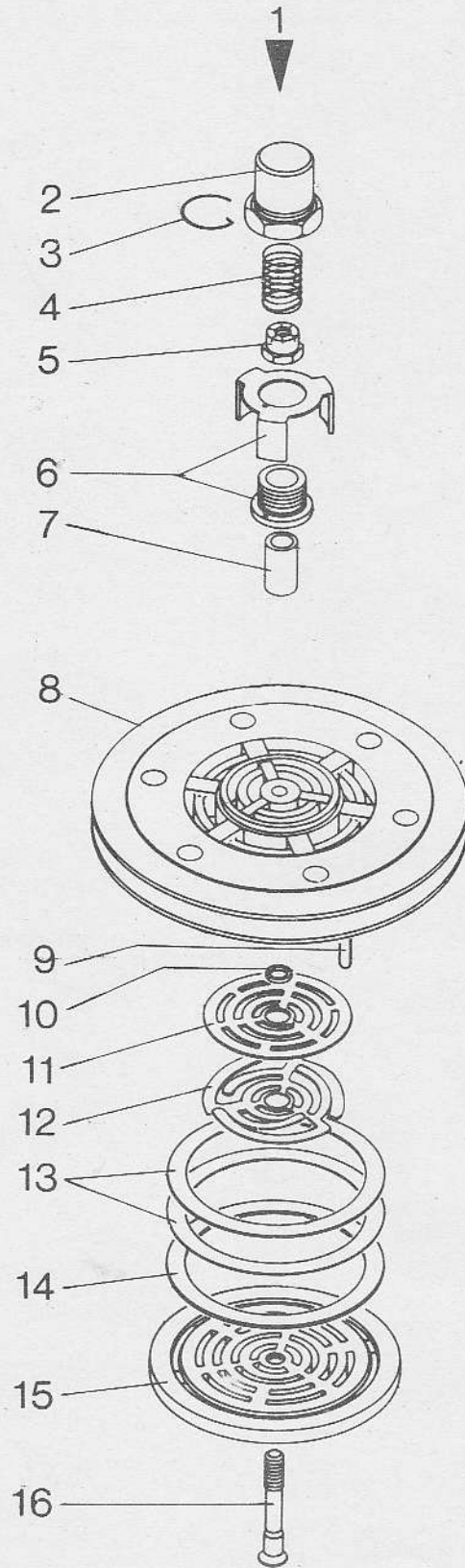
Ref. No.	ORDER No.	DESCRIPTION	No.
1	599922	Cylinder valve $\emptyset$ 135 - 160	1
2	961113	Box nut	1
3	961065	Lock ring	1
4	961044	Cross spring	1
5	961043	Lock nut	1
6	961008	Ring nut and cross-piece for disk-lifting	1
7	961111	Control spacing ring	1
8	961108	Distance washer	1
9	961098	Valve body	1
10	961050	Plug for control valve seat body	3
11	961011	Centering ring	1
12	590905	Disk of suction valve	1
13	591005	Spring of suction valve	1
14	591006	Springs of delivery valve	2
15	590906	Disk of delivery valve	1
16	961001	Valve seat	1
17	961009	Central pin-screw	1

CONCENTRIC VALVE FOR COMPRESSORS FOR H.P.

599916

9/74

FIG. 6



SPARE PARTS LIST

FIG. 6

CONCENTRIC VALVE FOR COMPRESSORS FOR H.P.

TABLE 6

9/74

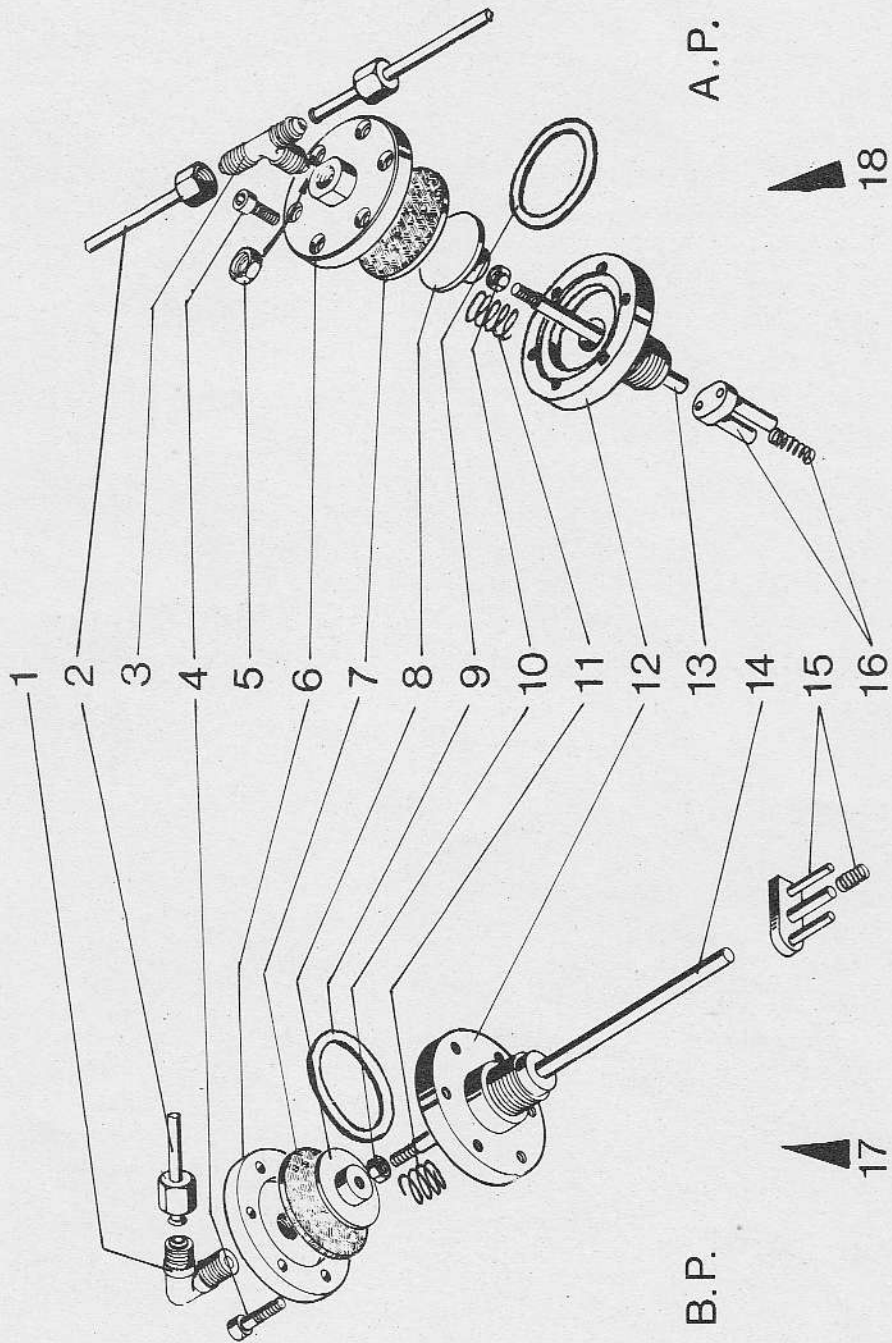
Ref. No.	ORDER No.	DESCRIPTION	No.
1	599916	Air-cooled H.P. valve $\phi$ 80-90	1
2	961114	Box nut	1
3	961116	Lock ring	1
4	961047	Cross spring	1
5	961058	Lock nut	1
6	961016	Nut ring and cross-piece for disk lifting	1
7	961105	Control spacing ring	1
8	961096	Valve body	1
9	961051	Plug for control valve seat body	1
10	961018	Centering ring	1
11	590907	Disk of suction valve	1
12	591007	Spring of suction valve	1
13	591009	Spring disk of delivery valve	2
14	590909	Disk of delivery valve	1
15	961004	Valve seat	1
16	961099	Central pin-screw	1

IDLING OPERATION DEVICE FOR COMPRESSORS

MODELS 4608 - 4708 - 6200 - 8200

9/74

FIG. 5



## SPARE PARTS LIST

FIG. 5

IDLING OPERATION DEVICE FOR COMPRESSORS MODELS 4608-4708-6200-

9/74

TABLE 5

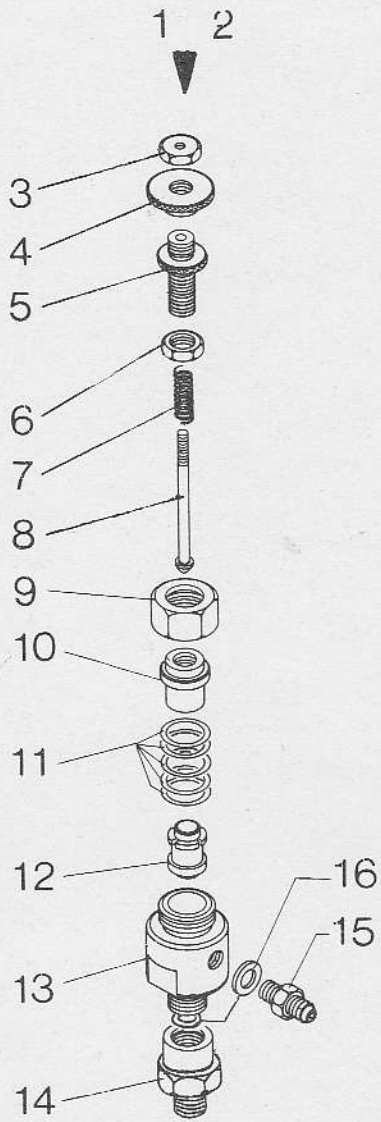
Ref. No.	ORDER No.	DESCRIPTION	No.
1	8384	Elbow 1/4" gas	1
2	759916	Copper pipe with connection nuts	1
3	759908	T shaped connection 1/4" gas	1
4	710414	Screws TCCE M6x15	6
5	7368	Lock nut 1/4" gas	1
6	46929	Cap for idling operation device	1
7	631245	Diaphragm for idling operation device (teflon)	1
8	42308	Cap	1
9	630522	Gasket for diaphragm	1
10	723117	Nut M6 - UNI 5589 .	1
11	580109	Spring	1
12	18995	Body of idling operation device	1
13	19832	Control rod H.P. side for 4608	1
13/a	40592	Control rod H.P. side for 4708	1
13/b	13101	Control rod H.P. side for 6200	1
14	19831	Control rod L.P. side for 4608	1
14/a	41925	Control rod L.P. side for 4708	1
14	13585	Control rod L.P. side for 6200	1
15	95239	Assembly valve-lifting device for L.P. for models 4608 - 4708	1
16	95240	Assembly blade-lifting device for H.P. for models 4608 - 4708	1
17	46933	Complete assembly idling operation device L.P. side for 4608	1
17/a	46914	Complete assembly idling operation device L.P. side for 4708	1
17/b	46931	Complete assembly idling operation device L.P. side for 6200	1
18	46934	Complete assembly idling operation device H.P. side for 4608	1
18/a	46935	Complete assembly idling operation device H.P. side for mod. 4708	1
18/b	46932	Complete assembly idling operation device H.P. side for 6200	1
	95256	Assembly L.P. valve-lifting piston for 6200 (ref. 8- 10 - 13)	1
	95333	Assembly H.P. valve-lifting piston for 6200 (ref. 8 - 10 - 13/b)	1

CONTROL VALVE FOR IDLING OPERATION

590702 - 590703

9/74

FIG. 7



## SPARE PARTS LIST

FIG. 7

## CONTROL VALVE FOR IDLING OPERATION

9/74

TABLE 7

Ref. No.	ORDER No.	DESCRIPTION	No.
1	590702	Control valve 6-8 ate	1
2	590703	Control valve 8-11 ate	1
3	961128	Stop nut	1
4	961129	Ring nut for idling operation	1
5	961130	Ring nut for spring regulation	1
6	961131	Lock nut	1
7	961076	Valve spring for setting 6-7 ate	1
7/a	580113	Valve spring for setting 9-11 ate	1
8	961133	Rod	1
9	961134	Ring nut for valve	1
10	961135	Spacing ring	1
11	961064	Setting washers 0,005 mm	
11/a	961078	Setting washers 0,015 mm	
12	961077	Valve piston	1
13	961136	Valve body	1
14	759924	"Copper" filter	1
15	1497	1/4" nipples	1
16	630795	Washer for gasket	5