



**5750 Donahue  
Montreal, Quebec, H4S 1C1  
Tel: (514) 336-3820 (800) 390-0140  
Fax: (514) 745-1764 E-Mail: sales@airtekltd.com  
www.airtekltd.com**

## **Parts List**

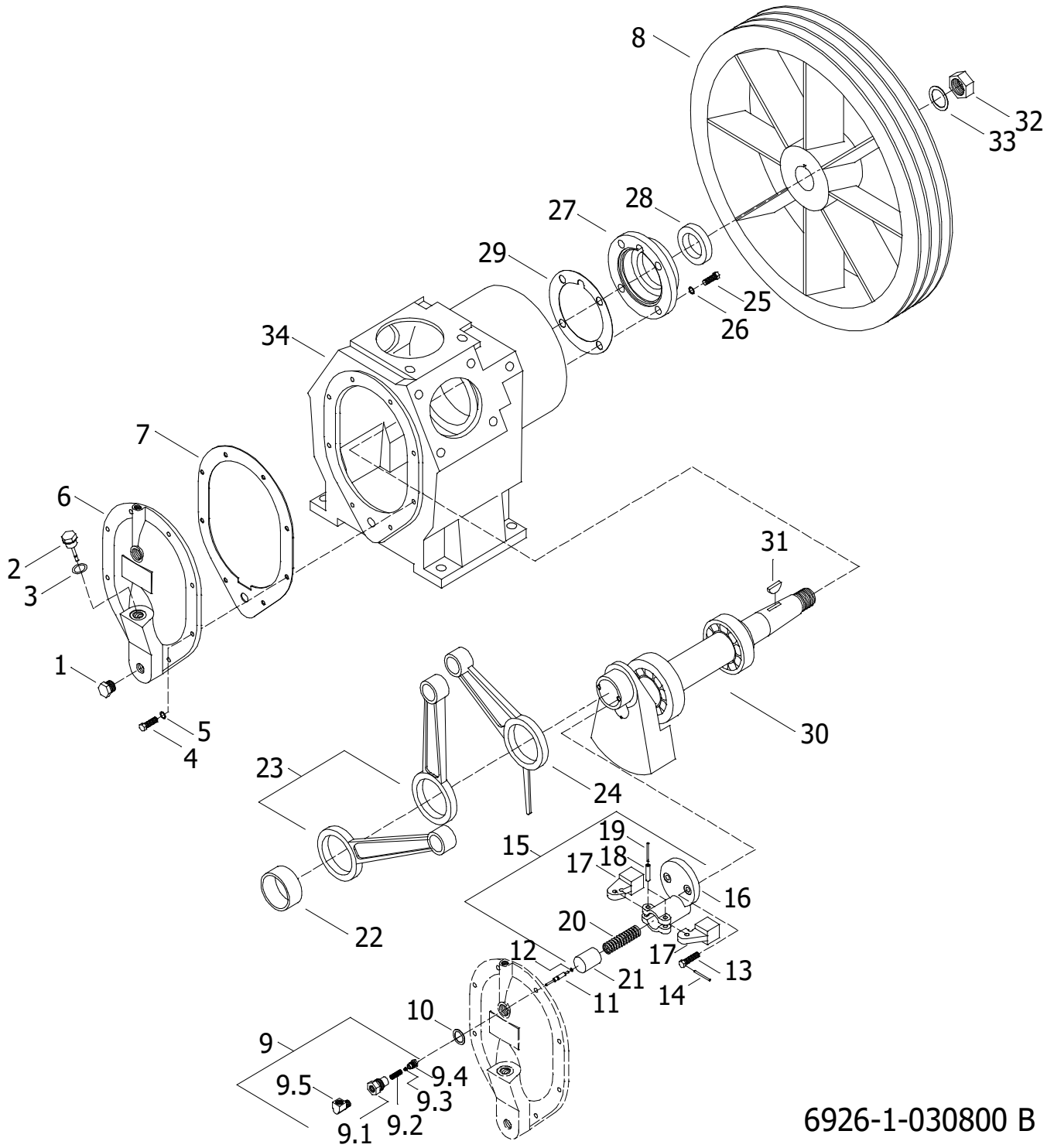
### **B554 2 STAGE INDUSTRIAL AIR COMPRESSOR**

Bore - LP	5,5" (x2)
Bore - HP	4"
Stroke	4"

Power Range	25 / 30 HP [ 25 - 30 kW]
Pressure Range	7 - 14 Bars [ 100 - 200 psi]
Flow Range	2800 - 3200 Liters/minute [100 to 115 cfm]
Speed Range	900 - 1000 RPM

This Model replaces IR Model 25T2

**PARTS LIST - B554 COMPRESSOR**



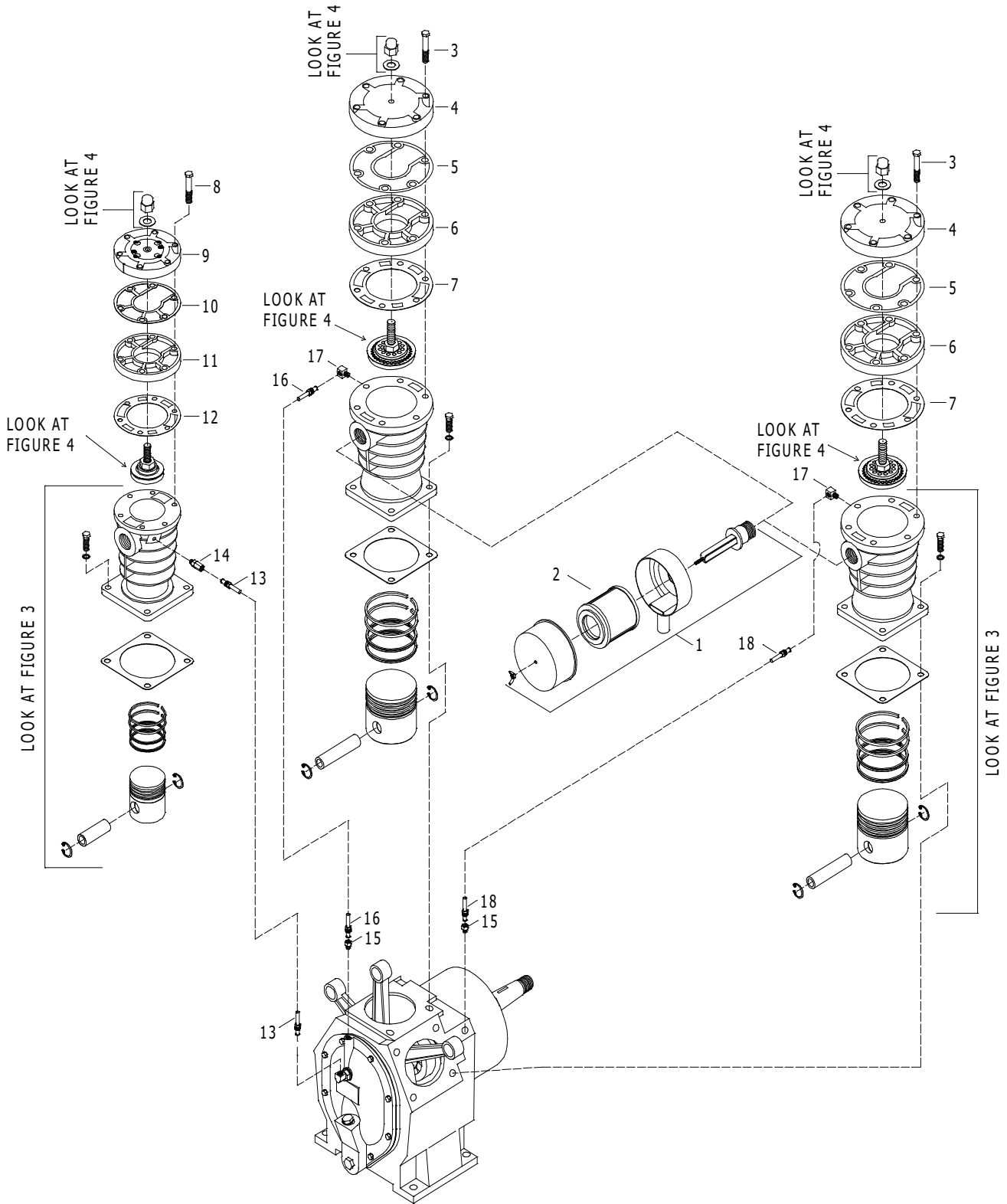
6926-1-030800 B

FIGURE 1 - COMPRESSOR FRAME ASSEMBLY

## PARTS LIST - B554 COMPRESSOR

Ref Nr.	Part Nr.	Description		IR P/N	Qty
1.1	0302-1	Plug Oil Drain Pipe	176,808,003	95,344,651	1
1.2	0302	Plug,Oil Filler-Complette	601,535,021	37,128,097	1
1.3	0303	Gasket-Oil Filler Plug	601,435,021		1
1.4	7096-02	Screw Crankcase Cover	121,106,164	95,251,013	8
1.5	7091-02	Gasket-Copper Washer	150,406,004		8
1.6	0003	Cover-Crankcase	800,573,013	37,128,089	1
1.7	0100	Gasket Crankcase Cover	600,473,011	30,439,285	1
1.8	6977	Wheel,V Belt	320,036,670	30,285,191	1
<b>1.9</b>	<b>0087-1</b>	<b>Pilot Valve Assembly</b>	<b>704,073,213</b>		<b>1</b>
1.9.1	0087-2	•Body-Pilot Valve	604,073,213		1
1.9.2	0085	•Spring-Pilot Valve	604,473,213		1
1.9.3	0089	•Spool-Pilot Valve	604,373,213		1
1.9.4	0090	•Cap-Pilot Valve	604,973,213		1
1.9.5	5010	•Connector-Pilot Valve	149,106,044		1
1.10	0088	Washer-Copper	604,173,011	30,346,597	2
1.11	0091	Pin-Thrust	603,973,213	37,113,719	1
1.12	7099	O Ring-Pilot Valve Pin	623,935,013	95,022,695	1
1.13	1758	Cap Screw-Hex	302,786,670	30,278,667	2
1.14	7100-01	Lockwire	907,992,890	90,799,289	1
<b>1.15</b>	<b>0074</b>	<b>Centrifugal Unloader Ass'y</b>	<b>703,373,013</b>	<b>32,010,272</b>	<b>1</b>
1.16	0075	•Body-Centrifugal Unloader	603,373,013	30,210,322	1
1.17	0076	•Weight-Centrifugal Unloader	603,673,011	30,220,875	2
1.18	0079	•Pin-Weight	603,773,011	30,214,951	2
1.19	7100-02	•Lockwire	603,473,011	90,799,271	1
1.20	0077	•Spring-Centrifugal Unloader	603,473,011	30,815,898	1
1.21	0078	•Plunger	603,573,011	30,285,688	1
1.22	0019	Bushing Center	601,773,013	37,002,383	1
1.23	0020	Connecting Rod	801,873,013	32,003,642	2
1.24	0023	Connecting Rod	801,873,413	32,003,659	1
1.25	7096-02	Screw Oil Retainer Cover	121,106,164	95,251,013	4
1.26	7091-02	Gasket-Copper Washer	150,406,004		4
1.27	0011	Cover-Oil Retainer	600,973,011	37,128,071	1
1.28	7101-01	Retainer Oil	601,073,011	37,007,663	1
1.29	0012	Gasket Oil Retainer Cover	600,873,011	30,294,961	1
1.30	0005	Crankshaft-Complete	703,273,013	32,025,694	1
1.31	7102-01	Key-Woodruff	184,110,485	95,083,721	1
1.32	0093	Nut,V-Belt Wheel	132,122,004	30,287,668	1
1.33	7094-05	Lock Washer	150,332,004	95,265,690	1
1.34	0002	Crankcase	600,173,013	32,008,468	1

# PARTS LIST - B554 COMPRESSOR



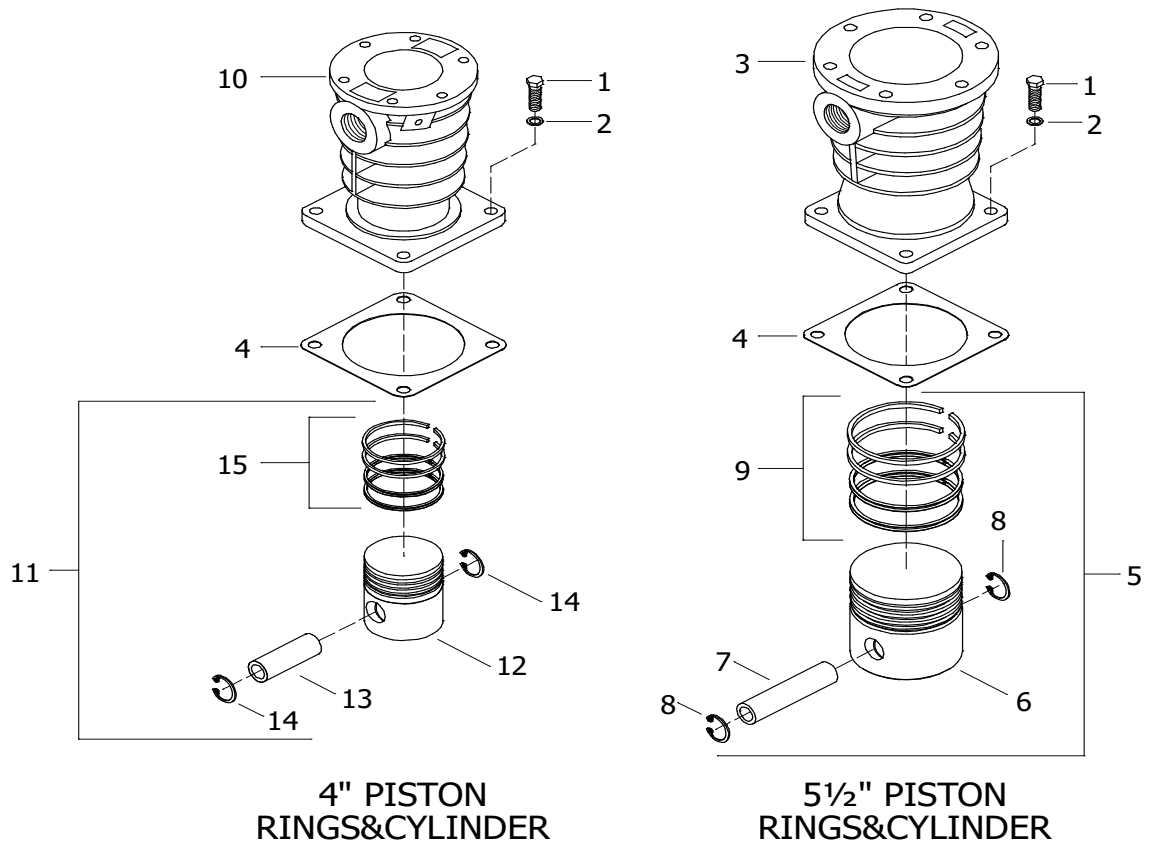
6926-2-180700 A

FIGURE 2 - MODEL 554 BARE COMPRESSOR

## PARTS LIST - B554 COMPRESSOR

Ref Nr.	Part Nr.	Description	IR P/N	Qty
2.1	6783	Filter Ass'y	707,473,011	2
2.2	6373	Filter Element	617,673,111	2
2.3	7096-11	Cap Screw-Hex L.P	121,108,484	18
2.4	0516	Cover Top Half L.P	607,174,211	2
2.5	0517	Gasket-Air Head L.P	607,074,211	2
2.6	0518	Air Head-Bottom Half LP	607,174,221	2
2.7	0519	Gasket-Air Head LP	607,074,011	2
2.8	7096-11	Cap Screw-Hex H.P	121,108,484	6
2.9	0528	Air Head-Top Half HP	607,174,611	1
2.10	7151	Gasket-Air Head HP	607,074,421	1
2.11	0530	Air Head-Bottom Half HP	607,174,621	1
2.12	7152	Gasket Cylinder Cover HP	607,074,411	1
2.13	7138	Tube Ass'y		1
2.14	7133	Check Valve		1
2.15	5005	Connector	148,105,024	2
2.16	7242	Tube Ass'y	7,139	1
2.17	5009	Connector	149,105,024	2
2.18	7243	Tube Ass'y	7,140	1

## PARTS LIST - B554 COMPRESSOR

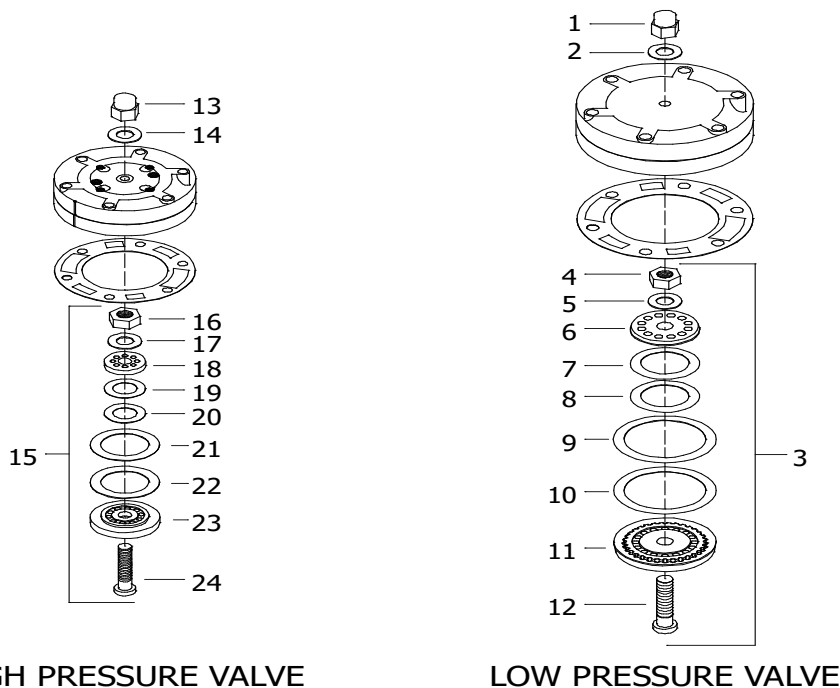


7150-3-110800 A

FIGURE 3 - PISTONS,RINGS AND CYLINDERS

Ref.Nr.	Part Nr.	Description	IR P/N	Qty
3.1	7096-06	Capscrow	121,108,204	12
3.2	7091-03	Washer-Copper	150,408,004	32
3.3	0512	Cylinder-L.P	606,173,033	2
3.4	0028	Gasket Cylinder	606,073,011	3
3.5	0506	Piston Assembly-Low Pressure	701,973,013	2
3.6	0507	•Piston-L.P	601,973,013	2
3.7	0015	•Piston Pin-L.P	602,073,013	2
3.8	7103-4	•Ring-Lock	183,020,004	4
3.9	7125	•Ring Set-L.P	720,073,001	2
3.10	0513	Cylinder-H.P	606,174,413	1
3.11	7153	Piston Assembly-High Pressure		1
3.12	0510	•Piston-H.P	7,154	1
3.13	5856	•Piston Pin-H.P		1
3.14	7103-01	•Ring-Lock	183,020,004	2
3.15	7244	•Ring Set-H.P	7,155	1

## PARTS LIST - B554 COMPRESSOR

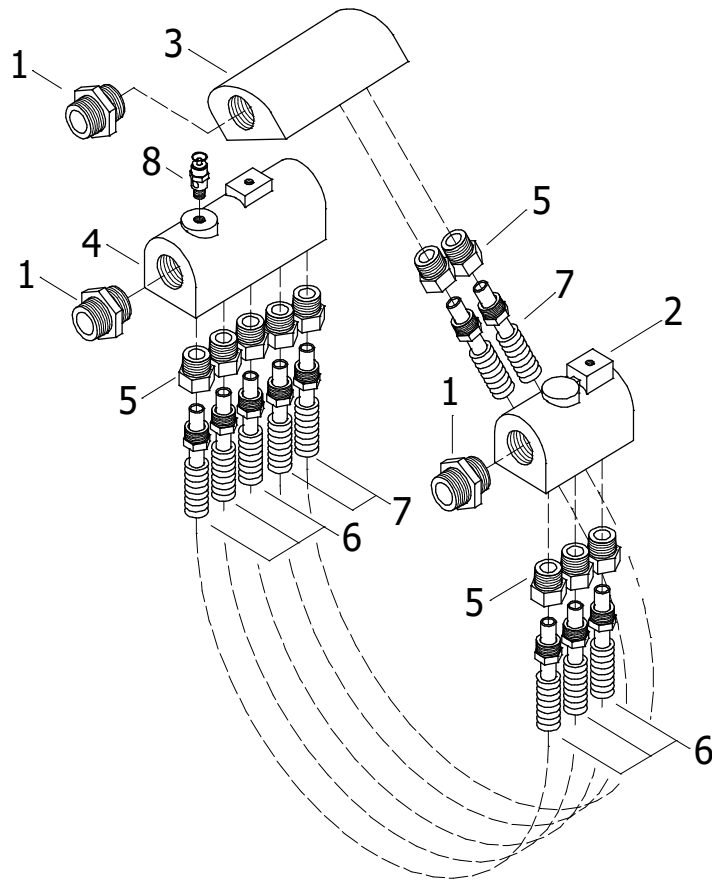


6926-4-030800 B

FIGURE 4 *LOW PRESSURE & HIGH PRESSURE VALVE ASSEMBLIES*

Pos.Nr	P/N	Description	IR P/N	Qty	
4.1	0030	Acorn Nut-LP	611,573,011	2	
4.2	7104-01	Washer-Spring-LP	150,612,001	2	
4.3	1762-3	Low Pressure Valve Ass'y	706,773,011	2	
4.4	7097-03	•Lock Nut-LP	612,273,011	2	
4.5	7104-01	•Washer-Spring-LP	150,612,001	2	
4.6	0034	•Valve Stop Plate-LP	606,474,011	2	
4.7	0032	•Spring-Disch Valve-LP	606,873,411	2	
4.8	0033	•Plate-Dish Valve-LP	606,773,411	2	
4.9	0036	•Plate-Inlet Valve-LP	606,773,011	2	
4.10	0037	•Spring-Inlet Valve-LP	606,873,011	2	
4.11	0515	•Seat Valve-LP	606,473,011	2	
4.12	0031	•Bolt-Valve Ass'y-LP	811,273,011	2	
4.13	0043	Nut-Acorn	611,573,411	1	
4.14	7104-02	Washer-Valve Cap	150,610,001	1	
4.15	1762-4	High Pressure Valve Ass'y	706,773,411	1	
4.16	7097-04	•Lock Nut-H.P	132,110,004	1	
4.17	7104-02	•Washer-Valve Cap	150,610,001	1	
4.18	0524	•Seat Valve-H.P	606,374,411	1	
4.19	7286	•Spring-Discharge Valve HP	606,874,611	W28714	1
4.20	7287	•Plate-Discharge Valve HP	606,774,611	W28715	1
4.21	7289	•Plate Inlet	606,774,411	W28717	1
4.22	7288	•Spring-Inlet Valve-HP	606,874,411	W28716	1
4.23	0527	•Valve Stop Plate-HP	606,474,411		1
4.24	0044	•Screw	811,273,411		1

## PARTS LIST - B554 COMPRESSOR



6926-5-280700 A

FIGURE 5-*Intercooler Assembly*

Ref.Nr.	Part Nr.	Description	Qty
5.1	7114	Nipple	3
5.2	5506	Manifold	1
5.3	5505	Manifold	1
5.4	5507	Manifold	1
5.5	5016	Connector	10
5.6	7115	Tube-Intercooler	3
5.7	7116	Tube-Intercooler	2
5.8	5064-1	Safety Valve	1