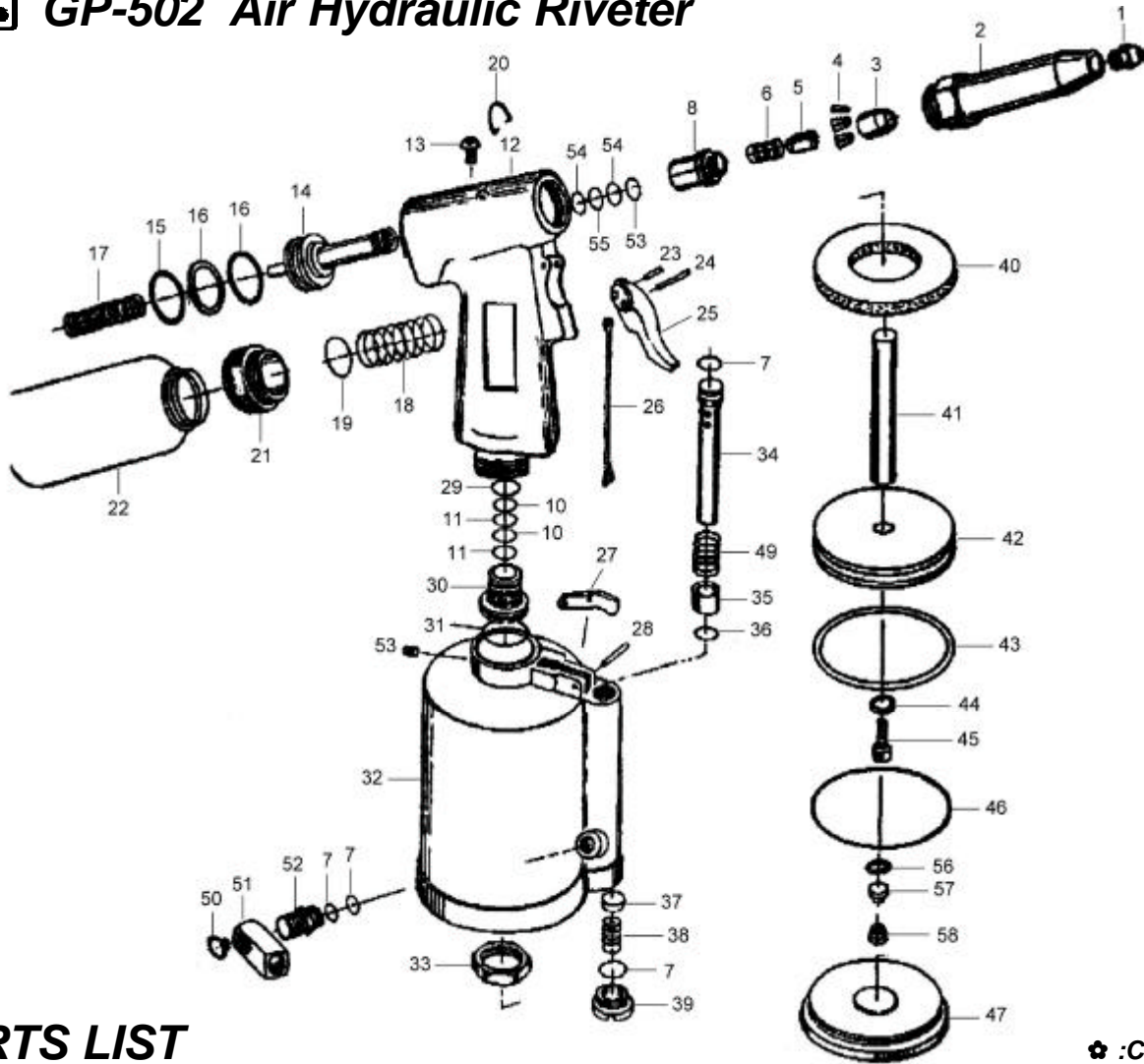


吉生 GISON

GP-502 Air Hydraulic Riveter



PARTS LIST

✳ :Consuming Part

No.	Part No.	Description	Qty.	No.	Part No.	Description	Qty.
01	502001	3/16" Nosepiece	1	31	502031	O-Ring Seal	1
02	502002	Head	1	32	502032	Air Cylinder	1
03	502003	Jaw Housing	1	33	502033	Lock Nut	1
04	502004	Jaw	3	34	502034	Valve Tube	1
05	502005	Jaw Pusher	1	35	502035	Bush	1
06	502006	Spring	1	36	502036	O-Ring Seal	1
07	502007	O-Ring Seal	4	37	502037	Valve Plate	1
08	502008	Jaw Housing Coupler	1	38	502038	Spring	1
10	502010	X-Ring Seal	2	39	502039	Plug Screw	1
11	502011	Ring Washer	2	40	502040	Damping Ring	1
12	502012	Hydraulic Section	1	41	502041	Plunger Rod	1
13	502013	Oil Plug	1	42	502042	Piston Disc	1
14	502014	Hydraulic Plunger	1	43	502043	Air Piston Ring	1
15	502015	O-Ring Seal	2	44	502044	Spring Washer	1
16	502016	O-Ring Washer	1	45	502045	Screw	1
17	502017	Return Spring	1	46	502046	O-Ring Seal	1
18	502018	Return Spring	1	47	502047	Air Cylinder Cap	1
19	502019	O-Ring Seal	1	49	502049	Valve Tube Spring	1
20	502020	Hanging Ring	1	50	502050	Retaining Ring	1
21	502021	Screw Plug	1	51	502051	1/4" Air Inlet Fitting	1
23	502023	Pin	1	52	502052	Air Inlet Plug	1
24	502024	Pin	1	53	502053	Set Screw	1
25	502025	Trigger	1	54	502054	X-Ring Seal	2
26	502026	Trigger Rod	1	55	502055	Ring Washer	2
27	502027	Trigger Lever	1	56	502056	Retainer Ring	1
28	502028	Pin	1	57	502057	Rubber Plate	1
29	502029	O-Ring Seal	1	58	502058	Spring	1
30	502030	Screw Plug	1				